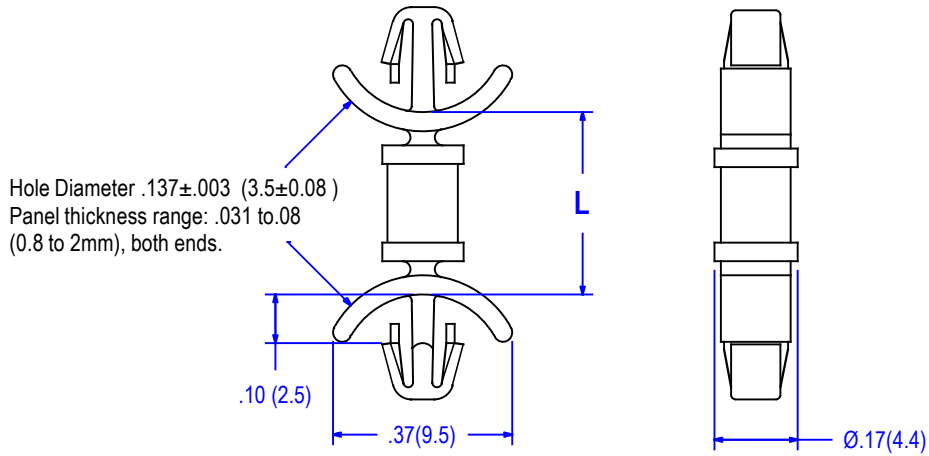


# 01-01A series



ITEM NO.	L	
	In. $\pm .015$	mm. $\pm 0.4$
01-01A-30	.187	4.8
01-01A-40	.250	6.4
01-01A-50	.312	7.9
01-01A-60	.375	9.5
01-01A-70	.437	11.1
01-01A-80	.500	12.7
01-01A-90	.562	14.3
01-01A-100	.625	15.9
01-01A-140	.875	22.2

PACKAGING : 1000 PER BAG

UL 94V-O MATERIAL AVAILABLE UPON REQUEST  
 TO ORDER ADD SUFFIX "X" TO ITEM NUMBER

MATERIAL	NYLON 66
UL RATING	94V-2
UL FILE NO.	E41938
COLOR	NATURAL
RoHS COMPLIANCE	YES
TEMPERATURE RANGE (REF.)	-40 to 185°F (-40 to 85°C)
MR NUMBER	12

					BY	DATE	Title PCB SUPPORT, DUAL LOCKING, MINIATURE	
							Part No. 01-01A series	Issue 0
							DIMS. Inches (mm) Tolerance:	
							Drwg. type Catalog	11-23-18
							File No. 01-01A series	
No	Revision	Date	Init.	ALL ELECTRONICS HARDWARE INC. 2642 CORPORATE PARKWAY ALGONQUIN, ILLINOIS . 60102 1-800-778-7234				